

Post Cap options include Ball or Flat (not shown)

3/4" Intermediate Baluster  
(1) per 6' section  
(2) per 8' section

Post with Plate sizes:  
-2 1/2" square (Line Posts only)  
-3 1/4" square (Line/ End Posts)  
(all sizes can be chosen at either the 38" or 44" height)

American Top Rail profile

36.00 or 42.00  
Top Rail Height

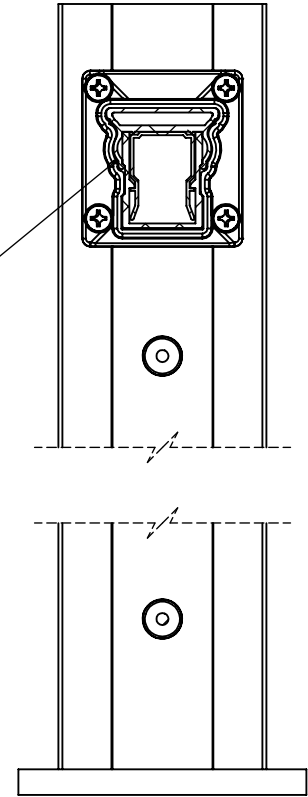
36.00 or 44.00  
Post Height Options

Post Trim options cover mounting hardware from view(not shown)

1/8" 1x19 Stainless Steel preformed strand type T-316, left hand lay

72.00 or 96.00  
between Posts

3/16



**SECTION A-A**

SCALE 1 : 3

-Contact Key-Link Rep. for further info @ 888-704-7130



www.keylinkfencing.com

MATERIAL: 6061 Alloy

PROPRIETARY AND CONFIDENTIAL  
THE INFORMATION CONTAINED IN THIS  
DRAWING IS THE SOLE PROPERTY OF  
KEY-LINK FENCING & RAILING, INC. ANY  
REPRODUCTION IN PART OR AS A WHOLE  
WITHOUT THE WRITTEN PERMISSION OF  
KEY-LINK FENCING & RAILING, INC. IS  
PROHIBITED.

KEY-LINK FENCING & RAILING, INC.  
150 ORLAN RD  
NEW HOLLAND, PA 17557

TITLE: American Series Railing

PART OR ASSEM: Horizontal Cable Infill

SIZE  
**A**

PART NUMBER:

REV  
**0**

SCALE: 1:20

WT: lbs

BY: Mike Alexander

SHEET 1 OF 1